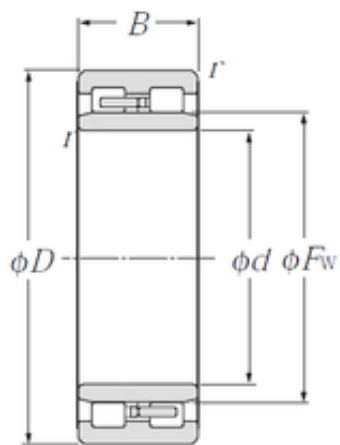




NACHI BEARINGS TRAINING INDUSTRY



NNU4948 NTN Tapered Roller Bearing

Bearing No. NNU4948

Size	240x320x80 mm
Bore Diameter	240 mm
Outer Diameter	320 mm
Width	80 mm
d	240 mm
Fw	265 mm
D	320 mm
B	80 mm
C	80 mm
r min.	2,1 mm
Weight	17,2 Kg
Basic dynamic load rating (C)	610 kN
Basic static load rating (C0)	1 410 kN
(Grease) Lubrication Speed	1 700 r/min

NNU4948 Bearing 2D drawings and 3D CAD models