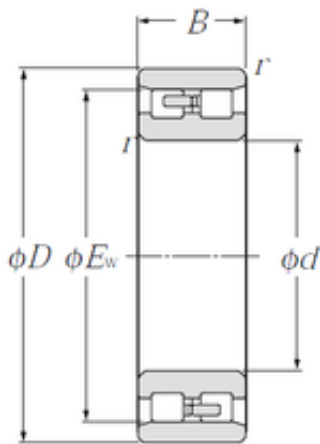




NACHI BEARINGS TRAINING INDUSTRY



NN3024 NTN Tapered Roller Bearing

Bearing No. NN3024

| | |
|-------------------------------|---------------|
| Size | 120x165x46 mm |
| Bore Diameter | 120 mm |
| Outer Diameter | 165 mm |
| Width | 46 mm |
| d | 120 mm |
| D | 180 mm |
| Ew | 165 mm |
| B | 46 mm |
| C | 46 mm |
| r min. | 2 mm |
| Weight | 3,98 Kg |
| Basic dynamic load rating (C) | 233 kN |
| Basic static load rating (C0) | 390 kN |
| (Grease) Lubrication Speed | 3 300 r/min |

NN3024 Bearing 2D drawings and 3D CAD models