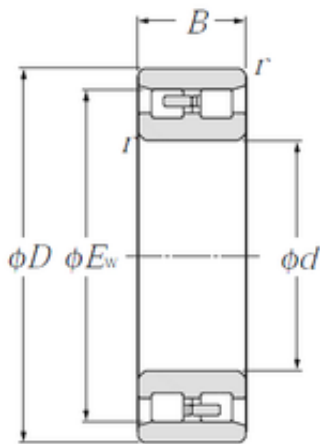




# NACHI BEARINGS TRAINING INDUSTRY



## NN3048 NTN Tapered Roller Bearing

Bearing No. NN3048

Size	240x330x92 mm
Bore Diameter	240 mm
Outer Diameter	330 mm
Width	92 mm
d	240 mm
D	360 mm
Ew	330 mm
B	92 mm
C	92 mm
r min.	3 mm
Weight	32,8 Kg
Basic dynamic load rating (C)	855 kN
Basic static load rating (C0)	1 600 kN
(Grease) Lubrication Speed	1 600 r/min

NN3048 Bearing 2D drawings and 3D CAD models