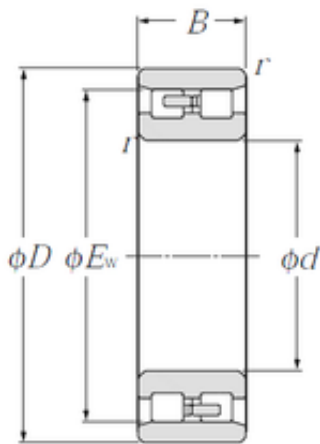




NACHI BEARINGS TRAINING INDUSTRY



NN3068 NTN Tapered Roller Bearing

Bearing No. NN3068

Size	340x473x133 mm
Bore Diameter	340 mm
Outer Diameter	473 mm
Width	133 mm
d	340 mm
D	520 mm
Ew	473 mm
B	133 mm
C	133 mm
r min.	5 mm
Weight	102 Kg
Basic dynamic load rating (C)	1 620 kN
Basic static load rating (C0)	3 200 kN
(Grease) Lubrication Speed	1 100 r/min

NN3068 Bearing 2D drawings and 3D CAD models