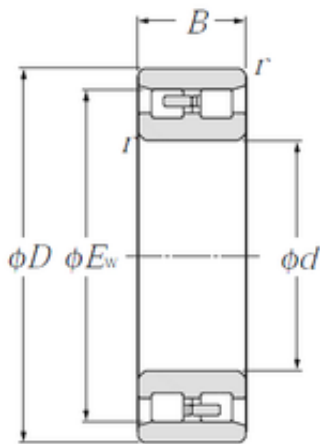




NACHI BEARINGS TRAINING INDUSTRY



NN3092 NTN Tapered Roller Bearing

Bearing No. NN3092

Size	460x622x163 mm
Bore Diameter	460 mm
Outer Diameter	622 mm
Width	163 mm
d	460 mm
D	680 mm
Ew	622 mm
B	163 mm
C	163 mm
r min.	6 mm
Weight	202 Kg
Basic dynamic load rating (C)	2 550 kN
Basic static load rating (C0)	5 350 kN
(Grease) Lubrication Speed	750 r/min

NN3092 Bearing 2D drawings and 3D CAD models