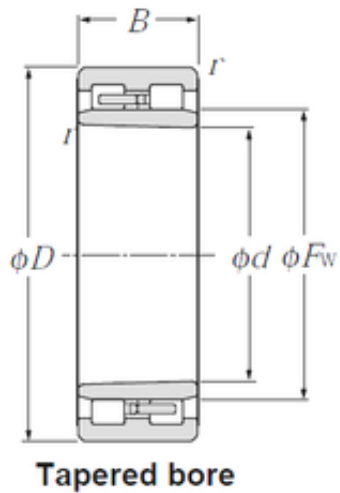




# NACHI BEARINGS TRAINING INDUSTRY



## NNU4944K NTN Cylindrical Roller Bearing

Bearing No. NNU4944K

Size	220x300x80 mm
Bore Diameter	220 mm
Outer Diameter	300 mm
Width	80 mm
d	220 mm
Fw	245 mm
D	300 mm
B	80 mm
C	80 mm
r min.	2,1 mm
Weight	15,2 Kg
Basic dynamic load rating (C)	585 kN
Basic static load rating (C0)	1 300 kN
(Grease) Lubrication Speed	1 900 r/min

NNU4944K Bearing 2D drawings and 3D CAD models