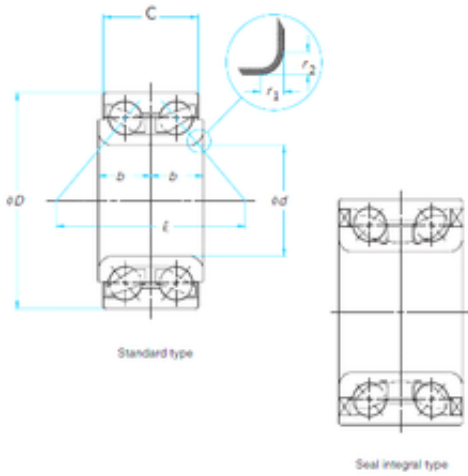




NACHI BEARINGS TRAINING INDUSTRY



25 mm x 52 mm x 37 mm CYSD DAC2552037
angular contact ball bearings

Bearing No. DAC2552037

Size	25x52x37 mm
Bore Diameter	25 mm
Outer Diameter	52 mm
Width	37 mm
d	25 mm
D	52 mm
B	37 mm
C	37 mm

DAC2552037 Bearing 2D drawings and 3D CAD models