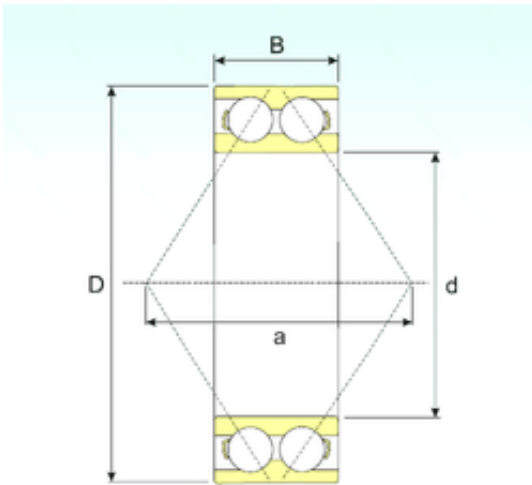




## NACHI BEARINGS TRAINING INDUSTRY



65 mm x 140 mm x 58,7 mm CYSD 5313  
angular contact ball bearings

Bearing No. 5313

Size	65x140x58.7 mm
Bore Diameter	65 mm
Outer Diameter	140 mm
Width	58,7 mm
d	65 mm
D	140 mm
B	58,7 mm
C	58,7 mm
r min.	2,1 mm
Weight	3,91 Kg
Basic dynamic load rating (C)	142 kN
Basic static load rating (C0)	113 kN
(Grease) Lubrication Speed	2900 r/min

5313 Bearing 2D drawings and 3D CAD models