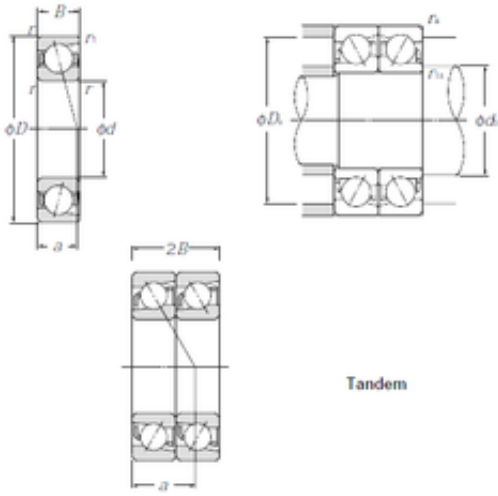




NACHI BEARINGS TRAINING INDUSTRY



160 mm x 290 mm x 48 mm CYSD 7232DT
angular contact ball bearings

Bearing No. 7232DT

Size	160x290x48 mm
Bore Diameter	160 mm
Outer Diameter	290 mm
Width	48 mm
d	160 mm
D	290 mm
B	48 mm
C	48 mm
Angle ()	25 °
r min.	3 mm
2B	96 mm
Weight	27,4 Kg
Basic dynamic load rating (C)	425 kN
Basic static load rating (C0)	615 kN
(Grease) Lubrication Speed	1900 r/min

7232DT Bearing 2D drawings and 3D CAD models