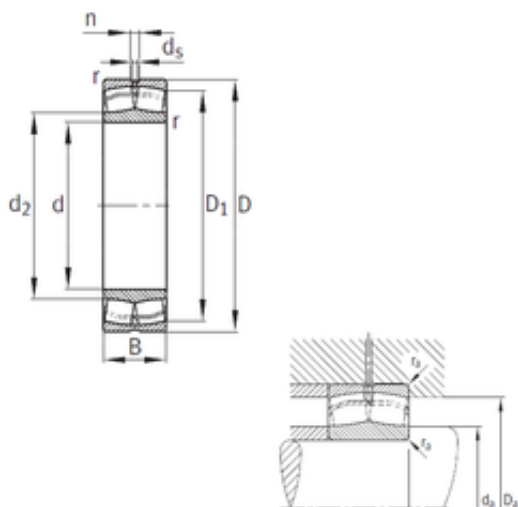




NACHI BEARINGS TRAINING INDUSTRY



180 mm x 380 mm x 126 mm FAG 22336-MB
spherical roller bearings

Bearing No. 22336-MB

Size	180x380x126 mm
Bore Diameter	180 mm
Outer Diameter	380 mm
Width	126 mm
d	180 mm
D	380 mm
B	126 mm
C	126 mm
n	23,5 mm
d2	– mm
r min.	4 mm
D1	323,4 mm
da min.	197 mm
Da max.	363 mm
ra max.	3 mm
d5	12,5 r/min
Weight	69 Kg
Basic dynamic load rating (C)	1760 kN
Basic static load rating (C0)	2360 kN
Fatigue load limit (Pu)	209
Reference speed	1 270 r/min
Limiting speed	1 500 r/min
Calculation factor (e)	0,37
Calculation factor (Y0)	1,79
Calculation factor (Y1)	1,83

22336-MB Bearing 2D drawings and 3D CAD models



NACHI BEARINGS TRAINING INDUSTRY