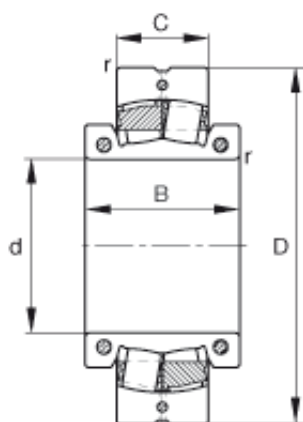




NACHI BEARINGS TRAINING INDUSTRY



240 mm x 440 mm x 210 mm FAG
231SM240-MA spherical roller bearings

Bearing No. 231SM240-MA

Size	240x440x144 mm
Bore Diameter	240 mm
Outer Diameter	440 mm
Width	144 mm
d	240 mm
D	440 mm
C	144 mm
B	210 mm
r_{\min}	4 mm
m	118 kg / Weight
C_r	1860000 N / Dynamic load rating (radial)
e	0,3
Y_1	2,28
Y_2	3,39
C_{0r}	3050000 N / Static load rating (radial)
Y_0	2,23
n_G	580 1/min / Limiting speed
C_{ur}	218000 N / Fatigue limit load, radial
$F_{a \max}$	32000 N / Permissible axial load, for inner ring without axial abutment
M_i	120 Nm / Tightening torque per clamping screw

231SM240-MA Bearing 2D drawings and 3D CAD models



NACHI BEARINGS TRAINING INDUSTRY

M_a	69 Nm / Tightening torque per clamping screw
	23152K / Designation, spherical roller bearing, unsplit
	H3152X / Adapter sleeve