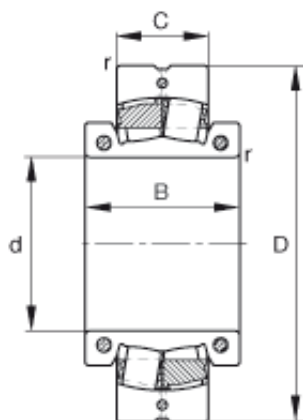




NACHI BEARINGS TRAINING INDUSTRY



340 mm x 650 mm x 240 mm FAG
222SM340-MA spherical roller bearings

Bearing No. 222SM340-MA

Size	340x650x170 mm
Bore Diameter	340 mm
Outer Diameter	650 mm
Width	170 mm
d	340 mm
D	650 mm
C	170 mm
B	240 mm
r_{\min}	6 mm
m	276 kg / Weight
C_r	3450000 N / Dynamic load rating (radial)
e	0,25
Y_1	2,69
Y_2	4
C_{0r}	5100000 N / Static load rating (radial)
Y_0	2,63
n_G	415 1/min / Limiting speed
C_{ur}	280000 N / Fatigue limit load, radial
$F_{a \max}$	60000 N / Permissible axial load, for inner ring without axial abutment
M_i	295 Nm / Tightening torque per clamping screw

222SM340-MA Bearing 2D drawings and 3D CAD models



NACHI BEARINGS TRAINING INDUSTRY

M_a	120 Nm / Tightening torque per clamping screw
	22272K / Designation, spherical roller bearing, unsplit