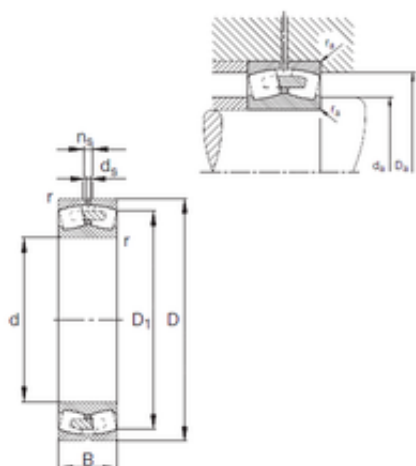




NACHI BEARINGS TRAINING INDUSTRY



480 mm x 870 mm x 310 mm FAG 23296-E1A-MB1 spherical roller bearings

Bearing No. 23296-E1A-MB1

23296-E1A-MB1 Bearing 2D drawings and 3D CAD models

| | |
|-------------------------------|----------------|
| Size | 480x870x310 mm |
| Bore Diameter | 480 mm |
| Outer Diameter | 870 mm |
| Width | 310 mm |
| d | 480 mm |
| D | 870 mm |
| B | 310 mm |
| C | 310 mm |
| n | 23,5 mm |
| r min. | 7,5 mm |
| D1 | 737,1 mm |
| da min. | 512 mm |
| Da max. | 838 mm |
| ra max. | 6 mm |
| d5 | 12,5 r/min |
| Weight | 819 Kg |
| Basic dynamic load rating (C) | 10000 kN |
| Basic static load rating (C0) | 16200 kN |
| Fatigue load limit (Pu) | 36,8 |
| Reference speed | 280 r/min |
| Limiting speed | 740 r/min |
| Calculation factor (e) | 0,36 |
| Calculation factor (Y0) | 1,86 |
| Calculation factor (Y1) | 1,9 |
| Calculation factor (Y2) | 2,83 |



NACHI BEARINGS TRAINING INDUSTRY