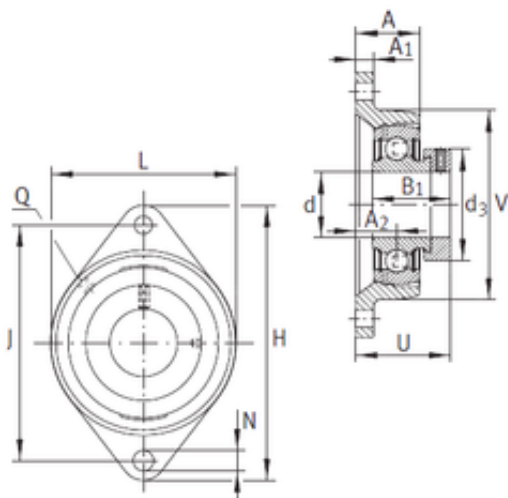




# NACHI BEARINGS TRAINING INDUSTRY



PCFT40 Bearing 2D drawings and 3D CAD models

## INA PCFT40 bearing units

Bearing No. PCFT40

Bore Diameter	40 mm
d	40 mm
V	105 mm
U	51 mm
Thread (Q)	Rp1/8
d3	58 mm
A	28,8 mm
A1	13 mm
B1	43,8 mm
H	172 mm
J	143,5 mm
L	105 mm
N	14 mm
A2	18,3 mm
Weight	1,42 Kg
Basic dynamic load rating (C)	32,5 kN
Category	Flange Block Bearings
Inventory	0.0
Manufacturer Name	SCHAEFFLER GROUP
Minimum Buy Quantity	N/A
Weight / Kilogram	1.76
Product Group	M06110
Number of Mounting Holes	2
Mounting Method	Eccentric Collar
Housing Style	2 Bolt Flange Block
Rolling Element	Ball Bearing



## NACHI BEARINGS TRAINING INDUSTRY

Housing Material	Cast Iron
Expansion / Non-expansion	Non-expansion
Mounting Bolts	14 Millimeter
Relubricatable	Yes
Insert Part Number	GRAE40NPPB
Seals	Double Lip Contact
Housing Configuration	1 Piece Solid
Pilot Configuration	No Pilot
Inch - Metric	Metric
Long Description	2 Bolt Flange Block; 40MM Bore; 143.5MM Bolt Circle; 143.5MM Bolt Spacing; 1 Piece Solid; Eccentric Collar Mount; Cast Iron; Ball Bearing; 43.8MM Length Thru Bore; Relubricatable; Double Lip Contact S
Other Features	Single Row   With Set Screw
Category	Flange Block
UNSPSC	31171501
Harmonized Tariff Code	8483.20.40.40
Noun	Bearing
Keyword String	Flanged
Manufacturer URL	<a href="http://www.ina.com">http://www.ina.com</a>
Manufacturer Item Number	PCFT40
Weight / LBS	3.131
Length Thru Bore	1.724 Inch   43.8 Millimeter
Bore	1.575 Inch   40 Millimeter
Nominal Bolt Circle Diameter Round	5.6 Inch   143.5 Millimeter
Cartridge Pilot Diameter	0 Inch   0 Millimeter
Cartridge Pilot Depth	0 Inch   0 Millimeter
Bolt Spacing	5.65 Inch   143.5 Millimeter