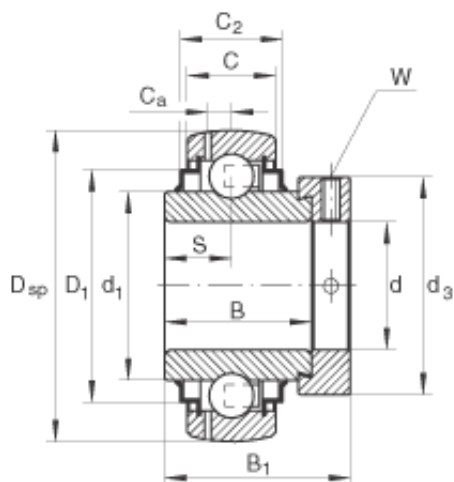




NACHI BEARINGS TRAINING INDUSTRY



INA GE40-KLL-B deep groove ball bearings

Bearing No. GE40-KLL-B

| | |
|----------------------|--|
| Size | 40x80x56.5 mm |
| Bore Diameter | 40 mm |
| Outer Diameter | 80 mm |
| Width | 56,5 mm |
| d | 40 mm |
| D _{SP} | 80 mm |
| B ₁ | 56,5 mm |
| B | 42,9 mm |
| C | 21 mm |
| C ₂ | 28,1 mm |
| C _a | 6,4 mm |
| D ₁ | 68,3 mm |
| d ₁ | 52,3 mm |
| d _{3 max} | 58 mm |
| S | 21,4 mm |
| W | 5 mm |
| m | 0,75 kg / Weight |
| C _r | 34500 N / Dynamic load rating (radial) |
| C _{0r} | 19800 N / Static load rating (radial) |
| Category | Insert Bearings Spherical OD |
| Inventory | 0.0 |
| Manufacturer Name | SCHAEFFLER GROUP |
| Minimum Buy Quantity | N/A |

GE40-KLL-B Bearing 2D drawings and 3D CAD models



NACHI BEARINGS TRAINING INDUSTRY

| | |
|--------------------------|--|
| Weight / Kilogram | 0.886 |
| Product Group | M06110 |
| Inner Race Profile | Wide Inner Ring |
| Outer Race Profile | Spherical |
| Relubricatable | Yes |
| Seal Type | Double Non Contact Labyrinth |
| Mounting Method | Eccentric Collar |
| Rolling Element | Ball Bearing |
| Snap Ring | No |
| Long Description | 40MM Bore; Wide Inner Ring; Ball Bearing; 56.3MM Length Thru Bore; 21MM Outer Race Width; 80MM Outside Diameter; Relubricatable; Double Non Contact Labyrinth Seal; Eccentric Collar Mounting Method; No |
| Inch - Metric | Metric |
| Other Features | Single Row With Set Screw Metric |
| Category | Insert Bearings |
| UNSPSC | 31171536 |
| Harmonized Tariff Code | 8482.10.50.00 |
| Noun | Bearing |
| Keyword String | Insert |
| Manufacturer URL | http://www.ina.com |
| Manufacturer Item Number | GE40KLLHB |
| Weight / LBS | 1.632 |
| Outer Race Width | 0.827 Inch 21 Millimeter |
| Bore | 1.575 Inch 40 Millimeter |
| Outside Diameter | 3.15 Inch 80 Millimeter |
| Length Thru Bore | 2.217 Inch 56.3 Millimeter |