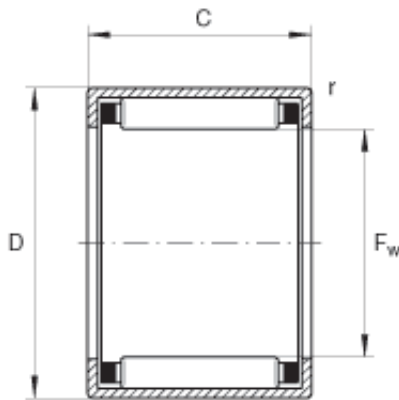




NACHI BEARINGS TRAINING INDUSTRY



INA HK0306-TV needle roller bearings

Bearing No. HK0306-TV

Size	3x6.5x6 mm
Bore Diameter	3 mm
Outer Diameter	6,5 mm
Width	6 mm
F_w	3 mm
D	6,5 mm
C - 6 mm / Tolerance: -0,3	6 mm / Tolerance: 0,3
r_{min}	0,3 mm
m	1 g / Weight
C_r	1230 N / Dynamic load rating (radial)
C_{Or}	840 N / Static load rating (radial)
C_{ur}	85 N / Fatigue limit load, radial
n_G	48000 1/min / Limiting speed
n_B	49500 1/min / Reference speed
Category	Needle Non Thrust Roller Bearings
Inventory	0.0
Manufacturer Name	SCHAEFFLER GROUP
Minimum Buy Quantity	N/A
Weight / Kilogram	0.008
Product Group	B04144
Rolling Element	Needle Roller Bearing
Component	Roller Assembly with Outer

HK0306-TV Bearing 2D drawings and 3D CAD models



NACHI BEARINGS TRAINING INDUSTRY

	Ring - No Inner Ring
Enclosure	Open
Self Aligning	No
Retainer	Yes
Number of Rows of Rollers	Single Row
Separable	No
Closed End	No
Inch - Metric	Metric
Relubricatable	No
Thrust Bearing	No
Long Description	3MM Bore; 6.5MM Outside Diameter; 6MM Width; Needle Roller Bearing; Roller Assembly with Outer Ring - No Inner Ring; Open Enclosure; No Self Aligning; Retainer; Single Row of Rollers; No Separable; No
Other Features	2 Rib Outer Ring Drawn Cup Bearing Plastic Cage
Category	Needle Non Thrust Roller Bearing
UNSPSC	31171512
Harmonized Tariff Code	8482.40.00.00
Noun	Bearing
Keyword String	Needle
Manufacturer URL	http://www.ina.com
Manufacturer Item Number	HK0306TN
Weight / LBS	0.002
Bore	0.118 Inch 3 Millimeter
Outside Diameter	0.256 Inch 6.5 Millimeter
Width	0.236 Inch 6 Millimeter