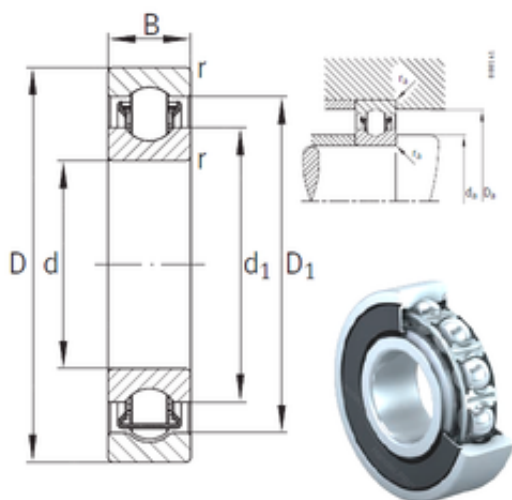




NACHI BEARINGS TRAINING INDUSTRY



10 mm x 26 mm x 8 mm INA BXRE000-2RSR
needle roller bearings

Bearing No. BXRE000-2RSR

| | |
|-------------------------------|------------|
| Size | 10x26x8 mm |
| Bore Diameter | 10 mm |
| Outer Diameter | 26 mm |
| Width | 8 mm |
| d | 10 mm |
| D | 26 mm |
| B | 8 mm |
| C | 8 mm |
| d1 | 15,6 mm |
| r min. | 0,3 mm |
| D1 | 21,1 mm |
| da min. | 12 mm |
| Da max. | 24 mm |
| ra max. | 0,3 mm |
| Weight | 0,02 Kg |
| Basic dynamic load rating (C) | 7,1 kN |
| Basic static load rating (C0) | 3,7 kN |
| Fatigue load limit (Pu) | 187 |

BXRE000-2RSR Bearing 2D drawings and 3D CAD models