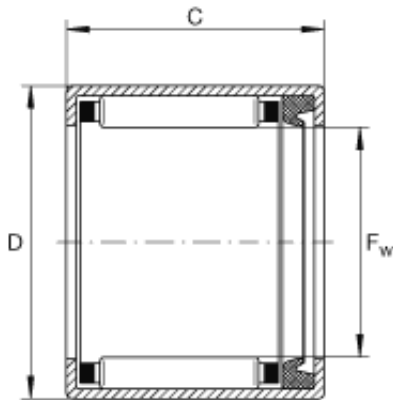




NACHI BEARINGS TRAINING INDUSTRY



INA SCE86-P needle roller bearings

Bearing No. SCE86-P

SCE86-P Bearing 2D drawings and 3D CAD models

Size	12.7x17.462x9.525 mm
Bore Diameter	12,7 mm
Outer Diameter	17,462 mm
Width	9,525 mm
F_w	1/2 inch
F_w	12,7 mm
D	0,688 inch
D	17,462 mm
C	0,375 inch
C	9,525 mm
m	0,02 lbs / Weight
m	9 g / Weight
C_r	820 lbf / Dynamic load rating (radial)
C_r	3650 N / Dynamic load rating (radial)
C_{Or}	890 lbf / Static load rating (radial)
C_{Or}	3950 N / Static load rating (radial)
n_G	19500 1/min / Limiting speed
n_B	14500 1/min / Reference speed
Category	Roller Bearings
Inventory	0.0
Manufacturer Name	SCHAEFFLER GROUP
Minimum Buy Quantity	N/A



NACHI BEARINGS TRAINING INDUSTRY

Weight / Kilogram	0.011
Product Group	B04144