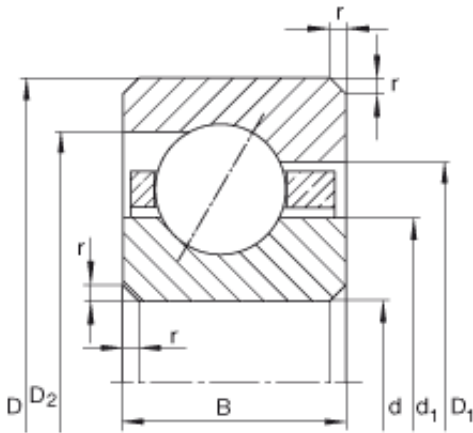




# NACHI BEARINGS TRAINING INDUSTRY

9 inch x 266,7 mm x 19,05 mm INA CSEF090  
deep groove ball bearings

Bearing No. CSEF090



CSEF090 Bearing 2D drawings and 3D CAD models

Size	228.6x266.7x19.05 mm
Bore Diameter	228,6 mm
Outer Diameter	266,7 mm
Width	19,05 mm
d	228,6 mm
d	9 inch
D	266,7 mm
B	19,05 mm
D <sub>1</sub>	252,6 mm
D <sub>2</sub>	256,7 mm
d <sub>1</sub>	242,7 mm
r <sub>min</sub>	2 mm
m	1,77 kg / Weight
C <sub>r</sub>	32000 N / Dynamic load rating (radial)
C <sub>0r</sub>	52000 N / Static load rating (radial)