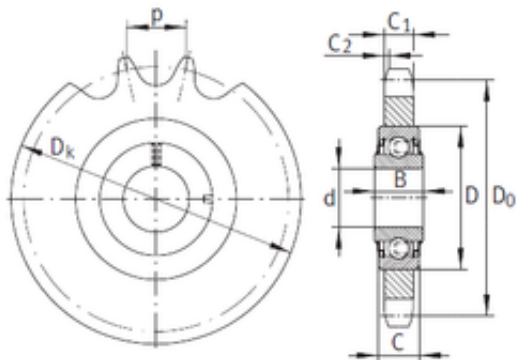




NACHI BEARINGS TRAINING INDUSTRY

16,2 mm x 40 mm x 18,3 mm INA
KSR16-L0-10-10-14-08 bearing units



Bearing No. KSR16-L0-10-10-14-08

Size	16.2x40x18.3 mm
Bore Diameter	16,2 mm
Outer Diameter	40 mm
Width	18,3 mm
d	16,2 mm
D	40 mm
B	18,3 mm
Number of teeth	14
Do	71,3 mm
Dk	78 mm
C	12 mm
C1	8,7 mm
C2	1,3 mm
Weight	0,21 Kg
1	DIN 8187

KSR16-L0-10-10-14-08 Bearing 2D drawings and 3D CAD models