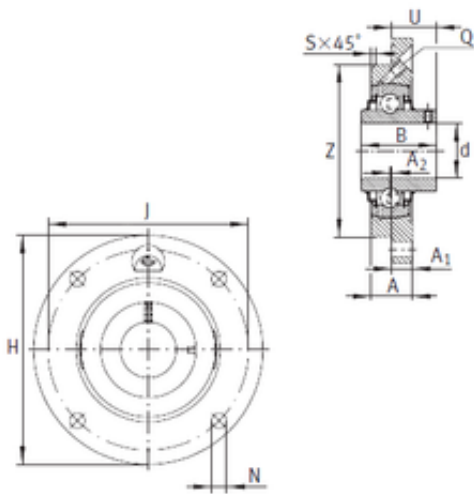




NACHI BEARINGS TRAINING INDUSTRY



RMEY45 Bearing 2D drawings and 3D CAD models

INA RMEY45 bearing units

Bearing No. RMEY45

Bore Diameter	45 mm
d	45 mm
U	28,2 mm
Thread (Q)	M6
Z	105 mm
A	25 mm
A1	12 mm
B	49,2 mm
H	155 mm
J	130 mm
N	14 mm
S	2 mm
A2	2 mm
Weight	1,94 Kg
Basic dynamic load rating (C)	32,5 kN
Category	Flange Block Bearings
Inventory	0.0
Manufacturer Name	SCHAEFFLER GROUP
Minimum Buy Quantity	N/A
Weight / Kilogram	1.94
Product Group	M06110
Number of Mounting Holes	4
Mounting Method	Set Screw
Housing Style	4 Bolt Round Flange Cartridge
Rolling Element	Ball Bearing



NACHI BEARINGS TRAINING INDUSTRY

Housing Material	Cast Iron
Expansion / Non-expansion	Non-expansion
Mounting Bolts	14 Millimeter
Relubricatable	Yes
Insert Part Number	GYE45KRRB
Seals	Double Land Riding Rubber Contact
Housing Configuration	1 Piece Solid
Pilot Configuration	With Pilot
Inch - Metric	Metric
Long Description	4 Bolt Round Flange Cartridge; 45MM Bore; 130MM Bolt Circle; 91.9MM Bolt Spacing; 1 Piece Solid; Set Screw Mount; Cast Iron; Ball Bearing; 49.2MM Length Thru Bore; Relubricatable; Double Land Riding R
Other Features	Single Row Centering Spigot With Grub Screw
Category	Flange Block
UNSPSC	31171501
Harmonized Tariff Code	8483.20.40.40
Noun	Bearing
Keyword String	Flanged
Manufacturer URL	http://www.ina.com
Manufacturer Item Number	RMEY45
Weight / LBS	4.278
Bore	1.772 Inch 45 Millimeter
Cartridge Pilot Diameter	4.134 Inch 105 Millimeter
Bolt Spacing	3.6 Inch 91.9 Millimeter
Nominal Bolt Circle Diameter Round	5.1 Inch 130 Millimeter
Cartridge Pilot Depth	0.433 Inch 11 Millimeter
Length Thru Bore	1.937 Inch 49.2 Millimeter



NACHI BEARINGS TRAINING INDUSTRY