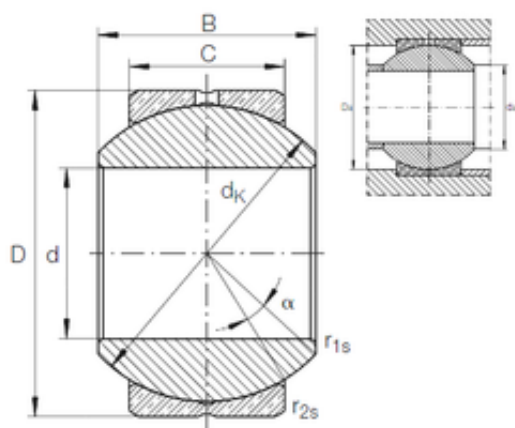




# NACHI BEARINGS TRAINING INDUSTRY



14 mm x 28 mm x 19 mm INA GE 14 PB plain bearings

Bearing No. GE 14 PB

GE 14 PB Bearing 2D drawings and 3D CAD models

Size	14x28x19 mm
Bore Diameter	14 mm
Outer Diameter	28 mm
Width	19 mm
d	14 mm
D	28 mm
B	19 mm
C	13,5 mm
dk	25,4 mm
r1 min.	0,3 mm
r2 min.	0,3 mm
da max	16,8 mm
Da min	22,5 mm
Angle	16 °
Weight	0,055 Kg
Basic dynamic load rating (C)	17 kN
Category	Bearings
Inventory	0.0
Manufacturer Name	SCHAEFFLER GROUP
Minimum Buy Quantity	N/A
Weight / Kilogram	0.001
Product Group	B04120