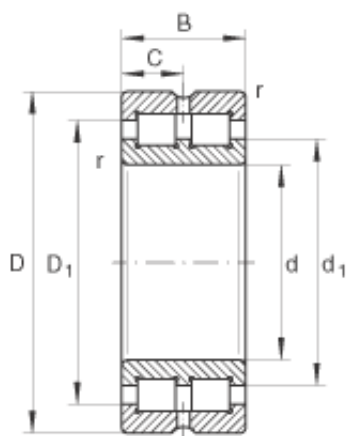




# NACHI BEARINGS TRAINING INDUSTRY



160 mm x 200 mm x 40 mm INA SL014832  
cylindrical roller bearings

Bearing No. SL014832

SL014832 Bearing 2D drawings and 3D CAD models

Size	160x200x40 mm
Bore Diameter	160 mm
Outer Diameter	200 mm
Width	40 mm
d	160 mm
D	200 mm
B	40 mm
C	20 mm
D <sub>1</sub>	182,8 mm
d <sub>1</sub>	173,7 mm
r <sub>min</sub>	1,1 mm
	NNC4832V / Designation to DIN 5412
m	3,1 kg / Weight
C <sub>r</sub>	237000 N / Dynamic load rating (radial)
C <sub>0r</sub>	560000 N / Static load rating (radial)
C <sub>ur</sub>	80000 N / Fatigue limit load, radial
n <sub>G</sub>	1800 1/min / Limiting speed
Category	Cylindrical Roller Bearings
Inventory	0.0
Manufacturer Name	SCHAEFFLER GROUP
Minimum Buy Quantity	N/A
Weight / Kilogram	3.72



## NACHI BEARINGS TRAINING INDUSTRY

Product Group	B04144
Bore Profile	Straight
Cage Material	None
Precision Class	RBEC 1   ISO P0
Number of Rows of Rollers	Double Row
Separable	No
Rolling Element	Cylindrical Roller Bearing
Profile	Complete with Outer and Inner Ring
Snap Ring	No
Internal Clearance	C0-Medium
Retainer	No
Relubricatable	Yes
Inch - Metric	Metric
Other Features	Full Complement   3 Rib Inner Ring   2 Rib Outer Ring   Operating Temperature From -30 to 120 Deg
Long Description	160MM Bore; Straight Bore Profile; 200MM Outside Diameter; 40MM Width; RBEC 1   ISO P0; Double Row; Not Separable; No Snap Ring; Relubricatable; C0-Medium Internal Clearance; No Retainer
Category	Cylindrical Roller Bearing
UNSPSC	31171547
Harmonized Tariff Code	8482.50.00.00
Noun	Bearing
Manufacturer URL	<a href="http://www.ina.com">http://www.ina.com</a>
Manufacturer Item Number	SL014832
Weight / LBS	8.184
Outside Diameter	7.874 Inch   200 Millimeter
Width	1.575 Inch   40 Millimeter



# NACHI BEARINGS TRAINING INDUSTRY

Bore

6.299 Inch | 160 Millimeter