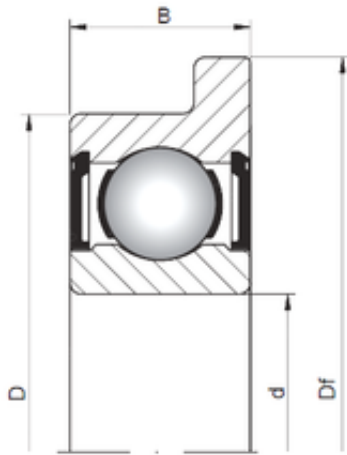




NACHI BEARINGS TRAINING INDUSTRY



6 mm x 13 mm x 5 mm ISO FL618/6 ZZ deep groove ball bearings

Bearing No. FL618/6 ZZ

Size	6x13x5 mm
Bore Diameter	6 mm
Outer Diameter	13 mm
Width	5 mm
d	6 mm
D	13 mm
B	5 mm
C	5 mm
Df	15 mm

FL618/6 ZZ Bearing 2D drawings and 3D CAD models