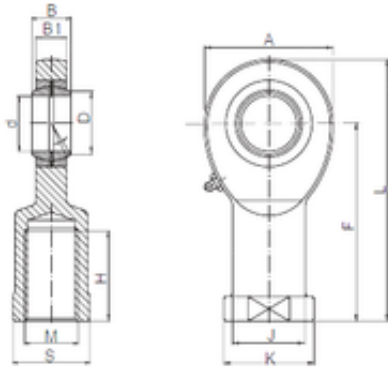




NACHI BEARINGS TRAINING INDUSTRY

12 mm x 15,4 mm x 16 mm ISO SIL 12 plain bearings



Bearing No. SIL 12

Bore Diameter	12 mm
d	12 mm
B	16 mm
A	32 mm
B1	12 mm
D	15,4 mm
F	50 mm
H	22 mm
J	17,5 mm
K	22 mm
L	66 mm
S	19 mm
Bolt (G)	M12

SIL 12 Bearing 2D drawings and 3D CAD models