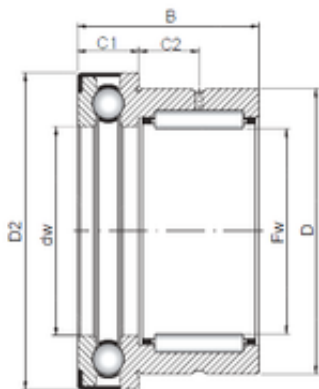




# NACHI BEARINGS TRAINING INDUSTRY

40 mm x 52 mm x 32 mm ISO NKX 40 Z  
complex bearings



Bearing No. NKX 40 Z

Size	40x52x32 mm
Bore Diameter	40 mm
Outer Diameter	52 mm
Width	32 mm
d	40 mm
Fw	40 mm
D	52 mm
B	32 mm
C1	13 mm
D2	61,2 mm
C2	10 mm

NKX 40 Z Bearing 2D drawings and 3D CAD models