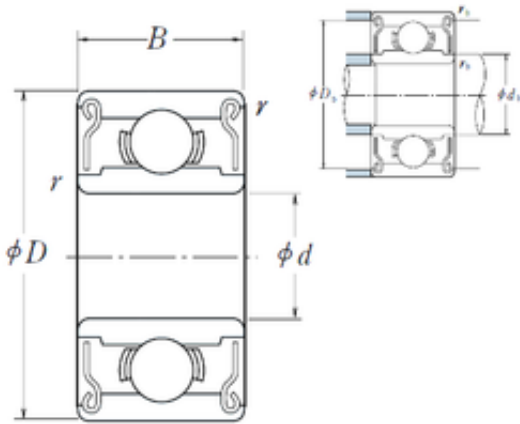




NACHI BEARINGS TRAINING INDUSTRY



4,762 mm x 7,938 mm x 3,175 mm ISO R156ZZ
deep groove ball bearings

Bearing No. R156ZZ

Size	4.762x7.938x3.175 mm
Bore Diameter	4,762 mm
Outer Diameter	7,938 mm
Width	3,175 mm
d	4,762 mm
D	7,938 mm
B	3,175 mm
C	3,175 mm
r min.	0,1 mm

R156ZZ Bearing 2D drawings and 3D CAD models