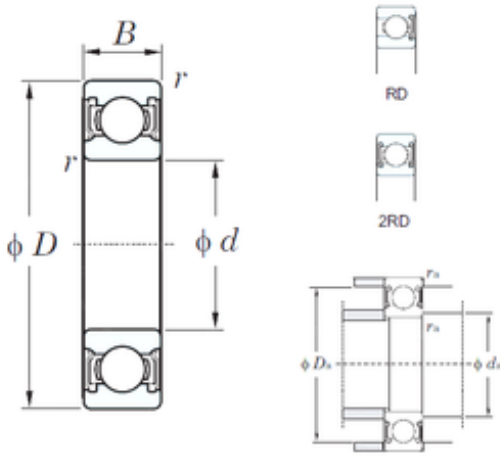




NACHI BEARINGS TRAINING INDUSTRY



45 mm x 100 mm x 25 mm KOYO 6309-2RD
deep groove ball bearings

Bearing No. 6309-2RD

Size	45x100x25 mm
Bore Diameter	45 mm
Outer Diameter	100 mm
Width	25 mm
d	45 mm
D	100 mm
B	25 mm
C	25 mm
r min.	1,5 mm
da min.	53 mm
da max	59,5 mm
Da max.	92 mm
ra max.	1,5 mm
Weight	0,833 Kg
Basic dynamic load rating (C)	48,9 kN
Basic static load rating (C0)	29,5 kN
(Grease) Lubrication Speed	6100 r/min

6309-2RD Bearing 2D drawings and 3D CAD models