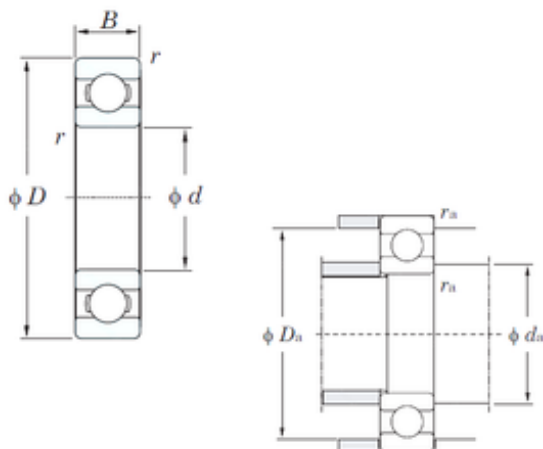




NACHI BEARINGS TRAINING INDUSTRY



40 mm x 62 mm x 12 mm KOYO 6908 deep groove ball bearings

Bearing No. 6908

6908 Bearing 2D drawings and 3D CAD models

Size	40x62x12 mm
Bore Diameter	40 mm
Outer Diameter	62 mm
Width	12 mm
d	40 mm
D	62 mm
B	12 mm
C	12 mm
r min.	0,6 mm
da min.	44 mm
Da max.	58 mm
ra max.	0,6 mm
Weight	0,112 Kg
Basic dynamic load rating (C)	13,7 kN
Basic static load rating (C0)	9,95 kN
(Grease) Lubrication Speed	11000 r/min
(Oil) Lubrication Speed	13000 r/min
Category	Single Row Ball Bearings
Inventory	0.0
Manufacturer Name	KOYO
Minimum Buy Quantity	N/A
Weight / Kilogram	0.119
Product Group	B00308
Enclosure	Open
Precision Class	ABEC 1 ISO P0



NACHI BEARINGS TRAINING INDUSTRY

Maximum Capacity / Filling Slot	No
Rolling Element	Ball Bearing
Snap Ring	No
Internal Special Features	No
Cage Material	Steel
Internal Clearance	C0-Medium
Inch - Metric	Metric
Long Description	40MM Bore; 62MM Outside Diameter; 12MM Outer Race Diameter; Open; Ball Bearing; ABEC 1 ISO P0; No Filling Slot; No Snap Ring; No Internal Special Features
Category	Single Row Ball Bearing
UNSPSC	31171504
Harmonized Tariff Code	8482.10.50.68
Noun	Bearing
Keyword String	Ball
Manufacturer URL	http://www.koyousa.com
Manufacturer Item Number	6908
Weight / LBS	0.262
Outside Diameter	2.441 Inch 62 Millimeter
Bore	1.575 Inch 40 Millimeter
Outer Race Width	0.472 Inch 12 Millimeter
Bearing No.	6908
r(min)	0.6
Cr	17.1
C0r	9.95
Cu	0.570
f0	15.6
Grease lub.	11000
Oil lub.	13000



NACHI BEARINGS TRAINING INDUSTRY

da(min)	44
Da(max)	58
ra(max)	0.6
(Refer.)Mass(kg)	0.112