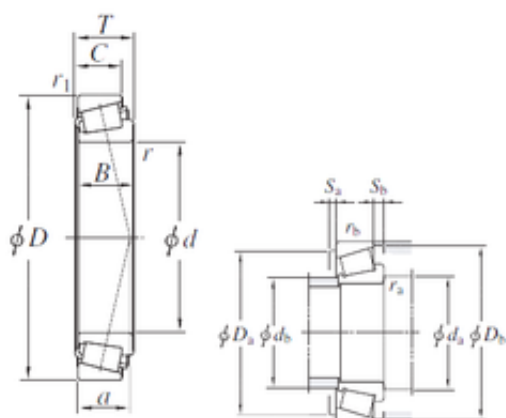




NACHI BEARINGS TRAINING INDUSTRY

190 mm x 340 mm x 55 mm KOYO 30238JR tapered roller bearings

Bearing No. 30238JR



30238JR Bearing 2D drawings and 3D CAD models

Size	190x340x60 mm
Bore Diameter	190 mm
Outer Diameter	340 mm
Width	60 mm
d	190 mm
D	340 mm
T	60 mm
B	55 mm
C	46 mm
a	66,4 mm
r min.	5 mm
r1 min.	4 mm
r2 min.	4 mm
da min.	212 mm
da max	225 mm
Da min	298 mm
Da max.	322 mm
db max.	225 mm
Db min.	318 mm
ra max.	4 mm
rb max.	3 mm
Db	318 mm
Weight	21,9 Kg
Basic dynamic load rating (C)	729 kN
Basic static load rating (C0)	1030 kN



NACHI BEARINGS TRAINING INDUSTRY

(Grease) Lubrication Speed	1000 r/min
(Oil) Lubrication Speed	1300 r/min
Calculation factor (e)	0,44
Calculation factor (Y0)	0,76
Bearing No.	30238JR
r(min)	5
r1(min)	4
Cr	912
C0r	1030
Cu	118
Grease lub.	1000
Oil lub.	1300
a	66.4 mm
da(min)	212
db(max)	225
Da(max)	322
Da(min)	298
Db(min)	318
Sa(min)	12
Sb(min)	13
ra(max)	4
rb(max)	3
e	0.44
Y1	1.38
Y0	0.76
(Refer.)Mass(kg)	21.9