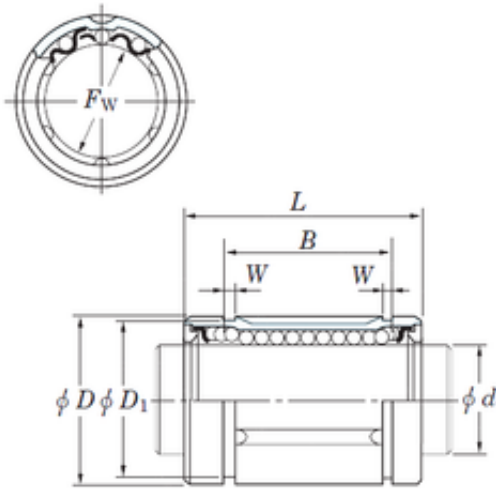




NACHI BEARINGS TRAINING INDUSTRY



KOYO SDM20MG linear bearings

Bearing No. SDM20MG

Size	20x32x30.5 mm
Bore Diameter	20 mm
Outer Diameter	32 mm
Width	30,5 mm
Fw	20 mm
D	32 mm
B	30,5 mm
D1	30,5 mm
L	42 mm
W	1,6 mm
Weight	0,079 Kg
Basic dynamic load rating (C)	590 kN

SDM20MG Bearing 2D drawings and 3D CAD models