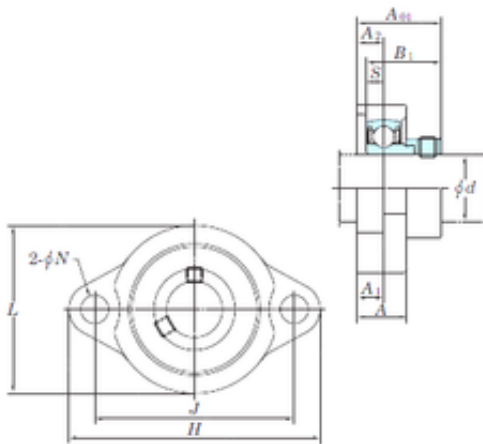




NACHI BEARINGS TRAINING INDUSTRY

KOYO ALF206-18 bearing units

Bearing No. ALF206-18



ALF206-18 Bearing 2D drawings and 3D CAD models

Bore Diameter	28,575 mm
d	28,575 mm
A0	37,9 mm
A	22,5 mm
A1	12 mm
B1	33,9 mm
H	113 mm
J	90,5 mm
L	76 mm
N	12 mm
S	8 mm
Bolt (G)	M10
A2	12 mm
Weight	0,6 Kg
Basic dynamic load rating (C)	19,5 kN
Basic static load rating (C0)	11,3 kN