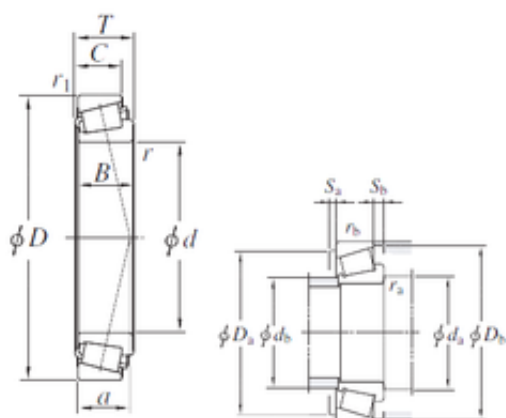




NACHI BEARINGS TRAINING INDUSTRY

120 mm x 230 mm x 49,428 mm KOYO
97472X/97905X tapered roller bearings

Bearing No. 97472X/97905X



97472X/97905X Bearing 2D drawings and 3D CAD models

Size	120x230x53.975 mm
Bore Diameter	120 mm
Outer Diameter	230 mm
Width	53,975 mm
d	120 mm
D	230 mm
T	53,975 mm
B	49,428 mm
C	38,1 mm
a	65,6 mm
r min.	3,6 mm
r1 min.	3,2 mm
da min.	133 mm
Da min	193 mm
Da max.	218 mm
db max.	144 mm
ra max.	3,6 mm
rb max.	3,2 mm
Db	212 mm
Weight	8,91 Kg
Basic dynamic load rating (C)	325 kN
Basic static load rating (C0)	459 kN
Calculation factor (e)	0,74
Calculation factor (Y0)	0,45