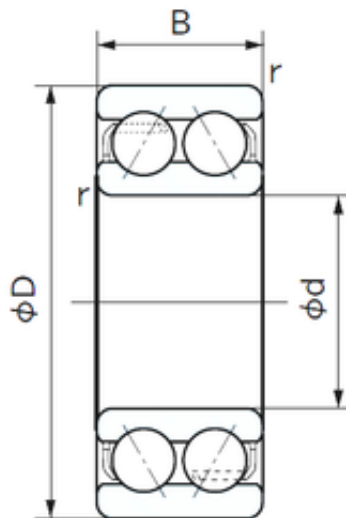




NACHI BEARINGS TRAINING INDUSTRY



90 mm x 160 mm x 52.4 mm NACHI 5218
angular contact ball bearings

Bearing No. 5218

5218 Bearing 2D drawings and 3D CAD models

Size	90x160x52.4 mm
Bore Diameter	90 mm
Outer Diameter	160 mm
Width	52.4 mm
d	90 mm
D	160 mm
B	52.4 mm
C	52.4 mm
Angle ()	30 °
r min.	2 mm
Weight	4.28 Kg
Basic dynamic load rating (C)	138 kN
Basic static load rating (C0)	133 kN
(Grease) Lubrication Speed	2700 r/min
Category	Angular Contact Ball Bearings
Inventory	0.0
Manufacturer Name	NACHI
Minimum Buy Quantity	N/A
Weight / Kilogram	4.277
Product Group	B00152
Enclosure	Open
Flush Ground	No
Rolling Element	Ball Bearing
Number of Rows of Balls	Double Row



NACHI BEARINGS TRAINING INDUSTRY

Precision Class	ABEC 1 ISO P0
Maximum Capacity / Filling Slot	No
Snap Ring	No
Cage Material	Steel
Contact Angle	20 Degree
Internal Clearance	C0-Medium
Number of Bearings	1 (Single)
Inch - Metric	Metric
Long Description	90MM Bore; 160MM Outside Diameter; 52.4MM Width; Open; No Flush Ground; Ball Bearing; Double Row of Balls; ABEC 1 ISO P0; No Filling Slot; No Snap Ring
Category	Angular Contact Ball Bearing
UNSPSC	31171531
Harmonized Tariff Code	8482.10.50.28
Noun	Bearing
Keyword String	Angular Contact
Manufacturer URL	http://www.nachi.com
Manufacturer Item Number	5218 BNLS
Weight / LBS	9.43
Bore	3.543 Inch 90 Millimeter
Outside Diameter	6.299 Inch 160 Millimeter
Width	2.063 Inch 52.4 Millimeter
Configuration	Double Row
Bore Type	Cylindrical Bore
Bore Size	85 mm
Fillet Radius/Chamfer	2 mm
Dynamic Load Rating	138,000 N
Static Load Rating	133,000 N
Limiting Speed - Grease	2,700 rpm



NACHI BEARINGS TRAINING INDUSTRY

Limiting Speed - Oil	3,900 rpm
Radial Clearance	0.012 to 0.036 mm
da	100 mm150 mm
Dx	172 mm
ra	2 mm
Cy	7.4 mm