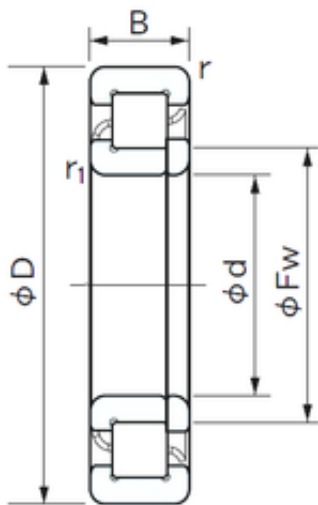




NACHI BEARINGS TRAINING INDUSTRY



90 mm x 160 mm x 30 mm NACHI NUP 218 cylindrical roller bearings

Bearing No. NUP 218

Size	90x160x30 mm
Bore Diameter	90 mm
Outer Diameter	160 mm
Width	30 mm
d	90 mm
Fw	107 mm
D	160 mm
B	30 mm
r min.	2 mm
r1 min.	2 mm
Weight	2.30 Kg
Basic dynamic load rating (C)	152 kN
Basic static load rating (C0)	178 kN
(Grease) Lubrication Speed	3800 r/min

NUP 218 Bearing 2D drawings and 3D CAD models