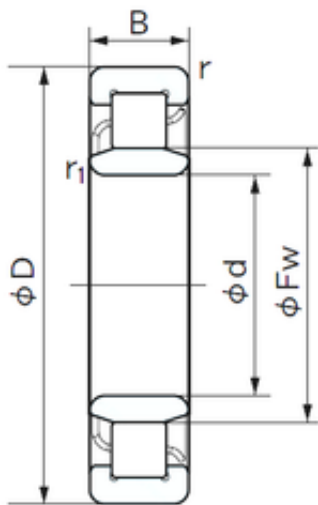




# NACHI BEARINGS TRAINING INDUSTRY



75 mm x 160 mm x 37 mm NACHI NU 315 cylindrical roller bearings

Bearing No. NU 315

Size	75x160x37 mm
Bore Diameter	75 mm
Outer Diameter	160 mm
Width	37 mm
d	75 mm
Fw	95.5 mm
D	160 mm
B	37 mm
r min.	2.1 mm
r1 min.	2.1 mm
Weight	3.21 Kg
Basic dynamic load rating (C)	190 kN
Basic static load rating (C0)	205 kN
(Grease) Lubrication Speed	3800 r/min

NU 315 Bearing 2D drawings and 3D CAD models