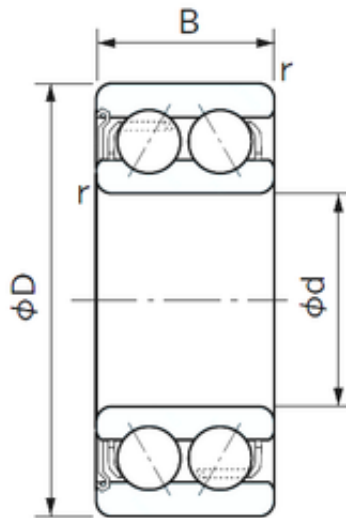




NACHI BEARINGS TRAINING INDUSTRY



60 mm x 110 mm x 36.5 mm NACHI 5212AZ
angular contact ball bearings

Bearing No. 5212AZ

| | |
|-------------------------------|----------------|
| Size | 60x110x36.5 mm |
| Bore Diameter | 60 mm |
| Outer Diameter | 110 mm |
| Width | 36.5 mm |
| d | 60 mm |
| D | 110 mm |
| B | 36.5 mm |
| C | 36.5 mm |
| Angle () | 20 ° |
| r min. | 1.5 mm |
| Weight | 1.36 Kg |
| Basic dynamic load rating (C) | 63 kN |
| Basic static load rating (C0) | 54 kN |

5212AZ Bearing 2D drawings and 3D CAD models