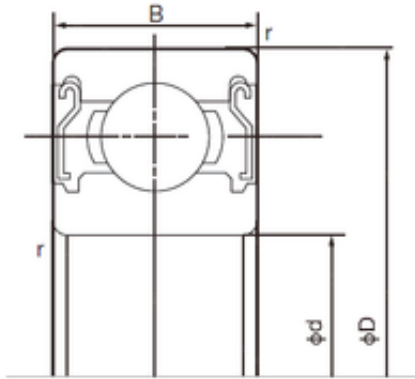




NACHI BEARINGS TRAINING INDUSTRY

100 mm x 215 mm x 47 mm NACHI 6320ZZ
deep groove ball bearings



Bearing No. 6320ZZ

6320ZZ Bearing 2D drawings and 3D CAD models

Size	100x215x47 mm
Bore Diameter	100 mm
Outer Diameter	215 mm
Width	47 mm
d	100 mm
D	215 mm
B	47 mm
C	47 mm
r min.	3 mm
da min.	114 mm
Da max.	201 mm
ra max.	2.5 mm
Weight	7.00 Kg
Basic dynamic load rating (C)	173 kN
Basic static load rating (C0)	141 kN
Category	Single Row Ball Bearings
Inventory	0.0
Manufacturer Name	NACHI
Minimum Buy Quantity	N/A
Weight / Kilogram	0
Product Group	B00308
Enclosure	2 Metal Shields
Precision Class	ABEC 1 ISO P0
Maximum Capacity / Filling Slot	No



NACHI BEARINGS TRAINING INDUSTRY

Rolling Element	Ball Bearing
Snap Ring	No
Internal Special Features	No
Cage Material	Steel
Internal Clearance	C0-Medium
Inch - Metric	Metric
Long Description	100MM Bore; 215MM Outside Diameter; 47MM Outer Race Width; 2 Metal Shields; Ball Bearing; ABEC 1 ISO P0; No Filling Slot; No Snap Ring; No Internal Special Features; C0-Medium Internal Clearance; St
Other Features	Deep Groove
Category	Single Row Ball Bearing
UNSPSC	31171504
Harmonized Tariff Code	8482.10.50.68
Noun	Bearing
Keyword String	Ball
Manufacturer URL	http://www.nachiamerica.com
Outer Race Width	1.85 Inch 47 Millimeter
Outside Diameter	8.465 Inch 215 Millimeter
Inner Race Width	0 Inch 0 Millimeter
Bore	3.937 Inch 100 Millimeter
Bore Type	Cylindrical Bore
Configuration	Single Row
Bore Size	100 mm
Width	47 mm
Fillet Radius/Chamfer	3 mm
Dynamic Load Rating	173,000 N
Static Load Rating	141,000 N
Limiting Speed - Grease	3,200 rpm



NACHI BEARINGS TRAINING INDUSTRY

Factor f_0	13.2
Radial Clearance	0.012 to 0.036 mm
d_a (min)	114 mm
D_a (max)	201 mm
r_a (max)	2.5 mm