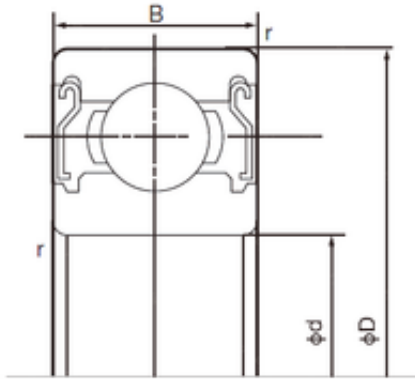




# NACHI BEARINGS TRAINING INDUSTRY

12 mm x 21 mm x 5 mm NACHI 6801ZZE deep groove ball bearings



Bearing No. 6801ZZE

6801ZZE Bearing 2D drawings and 3D CAD models

Size	12x21x5 mm
Bore Diameter	12 mm
Outer Diameter	21 mm
Width	5 mm
d	12 mm
D	21 mm
B	5 mm
C	5 mm
r min.	0.3 mm
da min.	14 mm
Da max.	19 mm
ra max.	0.3 mm
Weight	0.006 Kg
Basic dynamic load rating (C)	1,92 kN
Basic static load rating (C0)	1,04 kN
Category	Single Row Ball Bearings
Inventory	0.0
Manufacturer Name	NACHI
Minimum Buy Quantity	N/A
Weight / Kilogram	0.005
Product Group	B00308
Enclosure	2 Metal Shields
Precision Class	ABEC 1   ISO P0
Maximum Capacity / Filling Slot	No



## NACHI BEARINGS TRAINING INDUSTRY

Rolling Element	Ball Bearing
Snap Ring	No
Internal Special Features	No
Internal Clearance	C0-Medium
Inch - Metric	Metric
Long Description	12MM Bore; 21MM Outside Diameter; 5MM Outer Race Diameter; 2 Metal Shields; Ball Bearing; ABEC 1   ISO P0; No Filling Slot; No Snap Ring; No Internal Special Features
Category	Single Row Ball Bearing
UNSPSC	31171504
Harmonized Tariff Code	8482.10.50.68
Noun	Bearing
Keyword String	Ball
Manufacturer URL	<a href="http://www.nachi.com">http://www.nachi.com</a>
Manufacturer Item Number	6801 ZZE CM BSXM
Weight / LBS	0.01
Outer Race Width	0.197 Inch   5 Millimeter
Bore	0.472 Inch   12 Millimeter
Outside Diameter	0.827 Inch   21 Millimeter
Bore Type	Cylindrical Bore
Configuration	Single Row
Bore Size	12 mm
Width	5 mm
Fillet Radius/Chamfer	0.3 mm
Dynamic Load Rating	1,920 N
Static Load Rating	1,040 N
Limiting Speed - Grease	32,000 rpm
Factor fo	15.3
Radial Clearance	0.003 to 0.018 mm
da (min)	14 mm



## NACHI BEARINGS TRAINING INDUSTRY

Da (max)	19 mm
ra (max)	0.3 mm