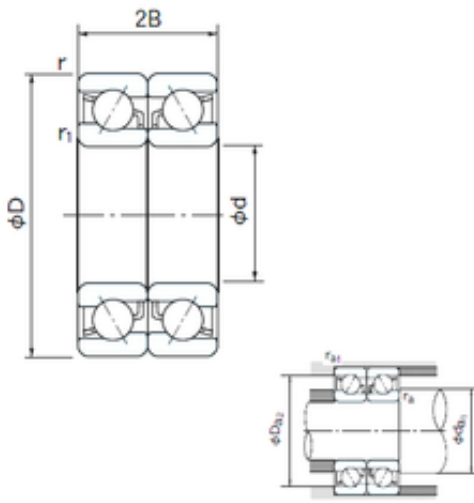




NACHI BEARINGS TRAINING INDUSTRY



7036CDB Bearing 2D drawings and 3D CAD models

180 mm x 280 mm x 46 mm NACHI 7036CDB
angular contact ball bearings

Bearing No. 7036CDB

Size	180x280x46 mm
Bore Diameter	180 mm
Outer Diameter	280 mm
Width	46 mm
d	180 mm
D	280 mm
B	46 mm
C	46 mm
Angle (°)	15 °
a	3.5 mm
r min.	2.1 mm
r1 min.	1.1 mm
2B	92 mm
da min.	189 mm
Da max.	274 mm
ra max.	1 mm
Weight	9.98 Kg
Basic dynamic load rating (C)	385 kN
Basic static load rating (C0)	580 kN
(Grease) Lubrication Speed	2800 r/min
Bore Type	Cylindrical Bore
Enclosure	Open
Configuration	Duplex
Bore Size	180 mm
Outside Diameter	280 mm



NACHI BEARINGS TRAINING INDUSTRY

Width	46 mm
Fillet Radius/Chamfer	2.1 mm
r1	1.1 mm
Dynamic Load Rating	385,000 N
Static Load Rating	580,000 N
Limiting Speed - Grease	2,800 rpm
Limiting Speed - Oil	3,800 rpm
da1 (min)	189 mm
da2 (min)	189 mm
Da1 (max)	271 mm
Da2 (max)	274 mm
ra (max)	2 mm
ra1 (max)	1 mm