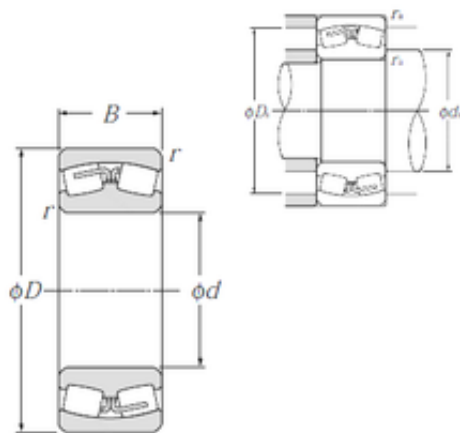




NACHI BEARINGS TRAINING INDUSTRY

150 mm x 270 mm x 73 mm NTN 22230B spherical roller bearings



Bearing No. 22230B

Size	150x270x73 mm
Bore Diameter	150 mm
Outer Diameter	270 mm
Width	73 mm
d	150 mm
D	270 mm
B	73 mm
C	73 mm
r min.	3 mm
da min.	164 mm
Da max.	256 mm
ra max.	2,5 mm
Weight	18,1 Kg
Basic dynamic load rating (C)	775 kN
Basic static load rating (C0)	1 160 kN
(Grease) Lubrication Speed	1 600 r/min
(Oil) Lubrication Speed	2 000 r/min
Calculation factor (e)	0,27
Calculation factor (Y0)	2,4
Calculation factor (Y1)	2,46

22230B Bearing 2D drawings and 3D CAD models