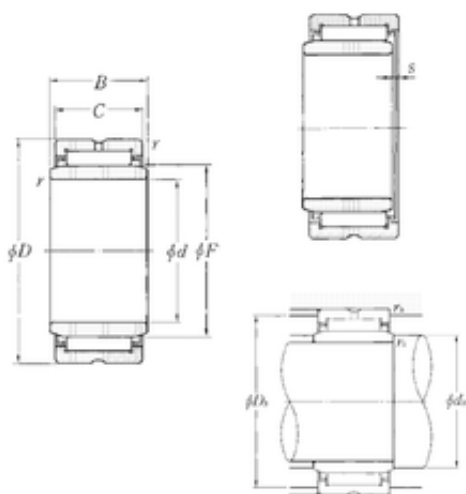




NACHI BEARINGS TRAINING INDUSTRY



36,512 mm x 58,738 mm x 32 mm NTN
MR283720+MI-232820 needle roller bearings

Bearing No. MR283720+MI-232820

Size	36.512x58.738x32 mm
Bore Diameter	36,512 mm
Outer Diameter	58,738 mm
Width	32 mm
d	36,512 mm
F	44,45 mm
D	58,738 mm
B	32 mm
C	31,75 mm
r min.	1,5 mm
s	0,5 mm
da min.	43 mm
Da max.	52 mm
ra max.	1,5 mm
Weight	0,33 Kg
Basic dynamic load rating (C)	55,5 kN
Basic static load rating (C0)	95,5 kN
(Grease) Lubrication Speed	6 000 r/min

MR283720+MI-232820 Bearing 2D drawings and 3D CAD models