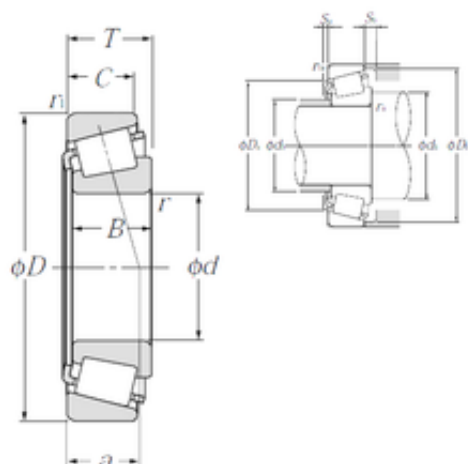




NACHI BEARINGS TRAINING INDUSTRY



35 mm x 55 mm x 14 mm NTN 32907XU tapered roller bearings

Bearing No. 32907XU

32907XU Bearing 2D drawings and 3D CAD models

Size	35x55x14 mm
Bore Diameter	35 mm
Outer Diameter	55 mm
Width	14 mm
d	35 mm
D	55 mm
T	14 mm
B	14 mm
C	11,5 mm
ra1 max.	0,6 mm
a	10,5 mm
r min.	0,6 mm
r1 min.	0,6 mm
da min.	39,5 mm
Da min	48 mm
Da max.	50,5 mm
db max.	40 mm
Db min.	52,5 mm
ra max.	0,6 mm
Sa	2,5 mm
Sb	2,5 mm
Weight	0,121 Kg
Basic dynamic load rating (C)	27,4 kN
Basic static load rating (C0)	37,5 kN
(Grease) Lubrication Speed	6 800 r/min



NACHI BEARINGS TRAINING INDUSTRY

(Oil) Lubrication Speed	9 000 r/min
Calculation factor (e)	0,29
Calculation factor (Y0)	1,13
rs min	0.6 mm
r1s min	0.6 mm
e	0.29
Y2	2.06
Y0	1.13
Mass	0.12 kg
ISO 355 reference	T2BD035
Dynamic load, C	27.4 kN
Rating life coefficient, A2	1
Static load, C0	37.5 kN
Fatigue limit load, Cu	4.55 kN
Nlim (oil)	9,000 rpm
Nlim (grease)	6,800 rpm
Min operating temperature, Tmin	-40 ° C
Max operating temperature, Tmax	120 ° C
da max	39.5 mm
db min	40 mm
Da max	50.5 mm
Db min	52.5 mm
ra max	0.6 mm
r1a max	0.6 mm
Category	Bearings
Inventory	0.0
Manufacturer Name	NTN
Minimum Buy Quantity	N/A
Weight / Kilogram	0
Product Group	B04336