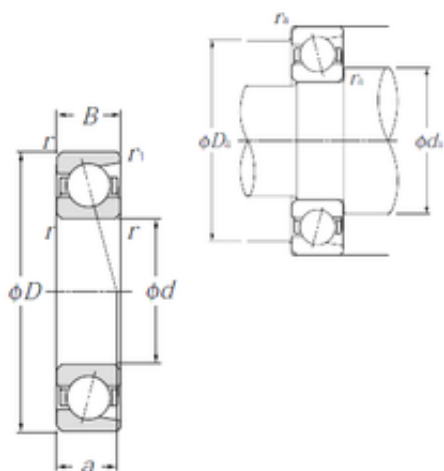




NACHI BEARINGS TRAINING INDUSTRY

10 mm x 35 mm x 11 mm NTN 7300 angular contact ball bearings



7300 Bearing 2D drawings and 3D CAD models

Bearing No. 7300

Size	10x35x11 mm
Bore Diameter	10 mm
Outer Diameter	35 mm
Width	11 mm
d	10 mm
D	35 mm
B	11 mm
C	11 mm
Angle (°)	25 °
a	12 mm
r min.	0,6 mm
r1 min.	0,3 mm
da min.	14,5 mm
db min	12,5 mm
ra max.	0,6 mm
Weight	0,04 Kg
Basic dynamic load rating (C)	10,1 kN
Basic static load rating (C0)	4,95 kN
(Grease) Lubrication Speed	26 000 r/min
Contact angle	30 °
rs min	0.6 mm
r1s min	0.3 mm
Mass	0.04 kg
Dynamic load, C	10.1 kN
Static load, C0	4.95 kN



NACHI BEARINGS TRAINING INDUSTRY

Fatigue limit load, Cu	0.23 kN
Nlim (oil)	34,000 rpm
Nlim (grease)	26,000 rpm
Min operating temperature, Tmin	-40 ° C
Max operating temperature, Tmax	120 ° C
da min	14.5 mm
Da max	30.5 mm
Db max	32.5 mm
r1a max	0.3 mm
ra max	0.3 mm
Category	Angular Contact Ball Bearings
Inventory	0.0
Manufacturer Name	NTN
Minimum Buy Quantity	N/A
Weight / Kilogram	0.054
Product Group	B00308
Enclosure	Open
Flush Ground	No
Rolling Element	Ball Bearing
Number of Rows of Balls	Single Row
Precision Class	ABEC 1 ISO P0
Maximum Capacity / Filling Slot	No
Snap Ring	No
Cage Material	Steel
Contact Angle	30 Degree
Internal Clearance	C0-Medium
Number of Bearings	1 (Single)
Inch - Metric	Metric
Long Description	10MM Bore; 35MM Outside Diameter; 11MM



NACHI BEARINGS TRAINING INDUSTRY

	Width; Open; No Flush Ground; Ball Bearing; Single Row of Balls; ABEC 1 ISO P0; No Filling Slot; No Snap Ring; C0-Medium; Steel Cage; 30 Degree; 1 (Single)
Category	Angular Contact Ball Bearing
UNSPSC	31171531
Harmonized Tariff Code	8482.10.50.28
Noun	Bearing
Keyword String	Angular Contact
Manufacturer URL	http://www.ntnamerica.com
Bore	0.394 Inch 10 Millimeter
Width	0.433 Inch 11 Millimeter
Outside Diameter	1.378 Inch 35 Millimeter