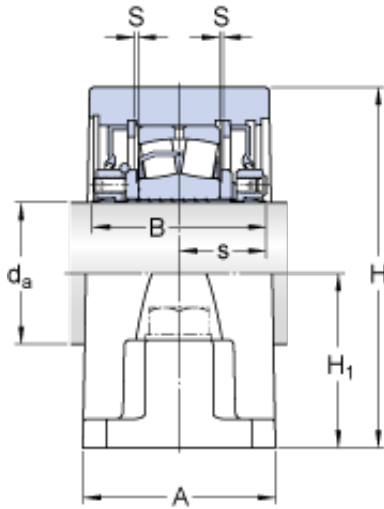




NACHI BEARINGS TRAINING INDUSTRY



SKF SYR 2 1/2 N bearing units

Bearing No. SYR 2 1/2 N

Size	63.5x68.262x65.484 mm
Bore Diameter	63,5 mm
Outer Diameter	68,262 mm
Width	65,484 mm
d_a	63.5 mm
A	68.262 mm
B	65.484 mm
H	142.875 mm
H_1	69.85 mm
H_2	44.45 mm
L	234.95 mm
J - max.	196.85 mm
J - min.	173.038 mm
s	32.941 mm
S	0.794 mm
Basic dynamic load rating - C	193 kN
Limiting speed	3100 r/min
d_a	63.5 mm
H_1	69.85 mm
H_2	44.45 mm
J max.	196.85 mm
J min.	173.037 mm
Basic dynamic load rating C	193 kN
Mass bearing unit	7.26 kg
Attachment bolt diameter G	15.875 mm

SYR 2 1/2 N Bearing 2D drawings and 3D CAD models



NACHI BEARINGS TRAINING INDUSTRY