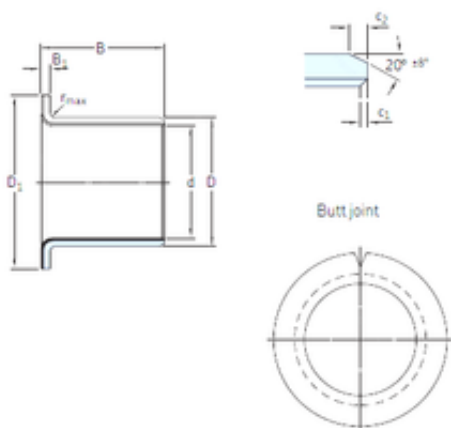




# NACHI BEARINGS TRAINING INDUSTRY

30 mm x 34 mm x 26 mm SKF PCMF 303426 E  
plain bearings



Bearing No. PCMF 303426 E

Size	30x34x26 mm
Bore Diameter	30 mm
Outer Diameter	34 mm
Width	26 mm
d	30 mm
D	34 mm
B	26 mm
c1 min	0,1 mm
c2 min	0,8 mm
r max	2 mm
B1	2 mm
D1	42 mm
Weight	0,05 Kg
Dynamic load rating radial (C)	54 kN
Dynamic load rating axial (C)	29 kN
Static load rating radial (C0)	170 kN
D <sub>1</sub>	42 mm
B <sub>1</sub>	2 mm
c <sub>1</sub> min.	0.1 mm
c <sub>1</sub> max.	0.7 mm
c <sub>2</sub> min.	0.8 mm
c <sub>2</sub> max.	1.6 mm
± 8	20 °
r max.	2 mm

PCMF 303426 E Bearing 2D drawings and 3D CAD models



## NACHI BEARINGS TRAINING INDUSTRY

Tolerance shaft	f7
Tolerance housing	H7
Basic dynamic load rating - radial direction C	54 kN
Basic static load rating - radial direction C <sub>0</sub>	170 kN
Basic dynamic load rating - axial direction C <sub>a</sub>	29 kN
Basic static load rating - axial direction C <sub>0a</sub>	91.5 kN
Specific dynamic load factor K	80 N/mm <sup>2</sup>
Specific static load factor K <sub>0</sub>	250 N/mm <sup>2</sup>
Factor depending on material and bearing type K <sub>M</sub>	480
Permissible sliding velocity v min.	0 m/s
Permissible sliding velocity v max.	2 m/s
Coefficient of friction μ min.	0.03
Coefficient of friction μ max.	0.25
Mass bushing	0.045 kg