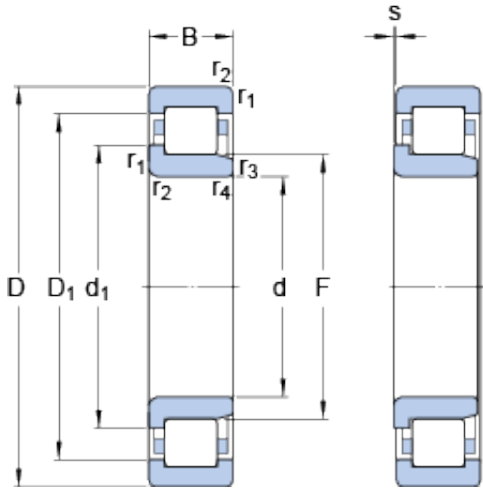




# NACHI BEARINGS TRAINING INDUSTRY



50 mm x 90 mm x 20 mm SKF NJ 210 ECM  
thrust ball bearings

Bearing No. NJ 210 ECM

NJ 210 ECM Bearing 2D drawings and 3D CAD models

Size	90x50x20 mm
Bore Diameter	90 mm
Outer Diameter	50 mm
Width	20 mm
d	50 mm
D	90 mm
B	20 mm
d <sub>1</sub>	64 mm
D <sub>1</sub>	77.4 mm
F	59.5 mm
r <sub>1,2</sub> - min.	1.1 mm
r <sub>3,4</sub> - min.	1.1 mm
s	1.5 mm
d <sub>a</sub> - min.	57 mm
d <sub>a</sub> - max.	57.5 mm
d <sub>b</sub> - min.	66 mm
D <sub>a</sub> - max.	82.4 mm
r <sub>a</sub> - max.	1 mm
Basic dynamic load rating - C	73.5 kN
Basic static load rating - C <sub>0</sub>	69.5 kN
Fatigue load limit - P <sub>u</sub>	8.8 kN
Reference speed	8500 r/min
Limiting speed	9000 r/min
Calculation factor - k <sub>r</sub>	0.15



## NACHI BEARINGS TRAINING INDUSTRY

Category	Bearings
Inventory	0.0
Manufacturer Name	SKF
Minimum Buy Quantity	N/A
Weight / Kilogram	0
Product Group	B04144
$d_1$	64 mm
$D_1$	77.4 mm
$r_{1,2}$ min.	1.1 mm
$r_{3,4}$ min.	1.1 mm
s max.	1.5 mm
$d_a$ min.	57 mm
$d_a$ max.	57.5 mm
$d_b$ min.	66 mm
$D_a$ max.	82.4 mm
$r_a$ max.	1 mm
Basic dynamic load rating C	73.5 kN
Basic static load rating $C_0$	69.5 kN
Fatigue load limit $P_u$	8.8 kN
Calculation factor $k_r$	0.15
Limiting value e	0.2
Axial load factor Y	0.6
Mass bearing	0.57 kg