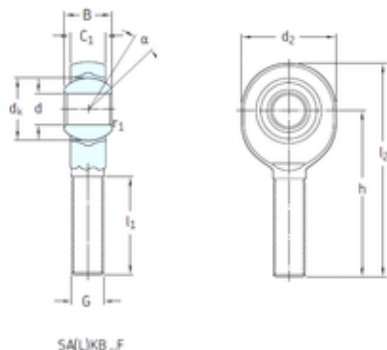




NACHI BEARINGS TRAINING INDUSTRY

SKF SAKB8F plain bearings



Bearing No. SAKB8F

Bore Diameter	8 mm
d	8 mm
d2 max.	25 mm
dk	15,8 mm
h	42 mm
l1 min.	25 mm
l2 max.	56 mm
r1 min.	0,3 mm
B	12 mm
C1 max	9 mm
Thread (G)	M8 Tolerance 6g
Angle	14 °
Weight	0,035 Kg
Basic dynamic load rating (C)	7,1 kN

SAKB8F Bearing 2D drawings and 3D CAD models